

316 Stainless Steel Ratchet Mount

Antenna Base



High quality 316 Stainless Steel Ratchet Mount Antenna Base is offered by China manufacturer POWER MARINE. Buy 316 Stainless Steel Ratchet Mount Antenna Base which is of high quality directly with low price. We are a professional 316 Stainless Steel Ratchet Mount

Antenna Base manufacture for more than 25 years. We can provide high quality products and competitive prices, and we can be good partners.

316 Stainless Steel Ratchet Mount Antenna Base

Product Introduction

Chinese manufacturer POWER MARINE is committed to providing high quality 316 Stainless Steel Ratchet Mount Antenna Base. Buy 316 Stainless Steel Ratchet Mount Antenna Base which is of high quality directly with low price. The Antenna Base meets Marine grade, at the same time it has excellent corrosion resistance. The 316 Stainless Steel Ratchet Mount Antenna Base provides excellent stability and the design can be easily roped in place.

Product Parameter (Specification)

Product name	316 Stainless Steel Ratchet Mount Antenna Base
Specification available	Multiple sizes
Standards that follow to	ISO 9001, CE, TUV, CSS, SGS.
Samples available	Yes.
Packing method	Bubble bag+Wooden carton
Production lead time	10-15 days for a 20ft container, 20-25 days for a 40ft

Shandong Power Industry and Trade Co., Ltd.

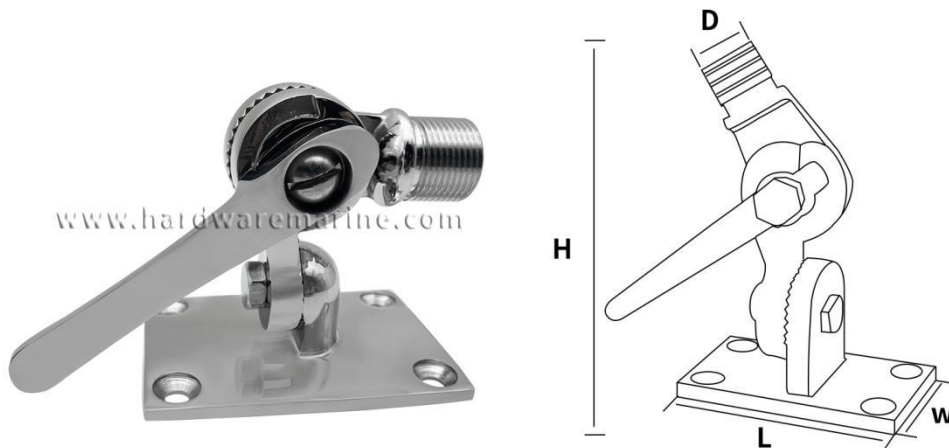
Address: Chengyang District, Qingdao, Shandong Province, China

Tel: [+86-15865772126](tel:+86-15865772126)

[+86-0532-83875707](tel:+86-0532-83875707)

E-mail: andy@hardwaremarine.com

	container.
Warranty time	Support returns and exchanges
Payment term	T/T
FOB loading port	Qingdao China



Code	L mm	W mm	H mm	D mm
PM9364A	93	64	112	25

Product Feature And Application

The history of 316 Stainless Steel Ratchet Mount Antenna Base can be traced back to advances in radio communications technology and the need for reliable and versatile antenna mounting solutions. In the early days of radio communications, antennas were mounted using fixed brackets or clips, which made adjusting the position or angle of the antenna challenging. This can cause problems when trying to optimize signal reception or transmission directivity. The introduction of the 316 Stainless Steel Ratchet Mount Antenna Base revolutionized the way antennas are mounted on boats and other applications. The ratchet mechanism allows easy adjustment of the angle and position of the antenna without the need for additional tools or hardware.

Shandong Power Industry and Trade Co., Ltd.

Address: Chengyang District, Qingdao, Shandong Province, China

Tel: [+86-15865772126](tel:+86-15865772126)

[+86-0532-83875707](tel:+86-0532-83875707)

E-mail: andy@hardwaremarine.com

Stainless steel is the material of choice for ratchet-mounted antenna bases due to its excellent corrosion resistance, which is critical in marine environments. Harsh conditions at sea, including exposure to salt water and other corrosive elements, require the use of durable and long-lasting materials, such as stainless steel. Over the years, advances in manufacturing techniques and materials have further improved 316 Stainless Steel Ratchet Mount Antenna Base. Features such as spring-loaded mechanisms, locking systems and various mounting options have been incorporated to enhance functionality and ease of use. Today, stainless steel ratchet mount antenna mounts are widely used on boats, recreational vehicles, and other applications that require reliable and adjustable antenna mounting. They provide a secure, flexible solution that allows users to optimize the performance of their radio communications by easily adjusting the position and angle of the antenna.

Product Details

316 Stainless Steel Ratchet Mount Antenna Base come with a variety of features that make them versatile and user-friendly. Here are some common features:

Stainless Steel Construction: Stainless steel is known for its excellent corrosion resistance, making it ideal for use in marine and outdoor environments. The stainless steel construction ensures durability and longevity.

Ratchet Mechanism: The ratchet mechanism allows for easy adjustment of the antenna's position and angle. It typically consists of teeth or detents that hold the antenna securely in place once adjusted.

Adjustable Base: 316 Stainless Steel Ratchet Mount Antenna Base of the ratchet mount is often adjustable, allowing for the antenna to be mounted on a variety of surfaces or angles. This feature enables flexibility in antenna installation.

Mounting Options: 316 Stainless Steel Ratchet Mount Antenna Bases usually come with multiple mounting options, such as deck mounting, rail mounting, or side mounting. This allows for easy installation on different surfaces or structures.

Locking Mechanism: Some ratchet mount bases come with a locking

Shandong Power Industry and Trade Co., Ltd.

Address: Chengyang District, Qingdao, Shandong Province, China

Tel: [+86-15865772126](tel:+86-15865772126)

[+86-0532-83875707](tel:+86-0532-83875707)

E-mail: andy@hardwaremarine.com

mechanism that secures the antenna in place once adjusted. This feature prevents unwanted movement or vibration of the antenna during use.

Spring-Loaded Design: A spring-loaded design can provide additional flexibility when adjusting the antenna's position. It allows for smooth and precise adjustments without the need for external tools or hardware.

Compatibility: 316 Stainless Steel Ratchet Mount Antenna Bases are designed to accommodate a range of antenna types and sizes. They often come with standard mounting threads or brackets to ensure compatibility with various antennas.

Weather Resistance: Antenna Bases are designed to withstand harsh weather conditions, including exposure to saltwater, UV rays, and other environmental elements. This ensures long-lasting performance and durability.

Easy Installation: The design of 316 Stainless Steel Ratchet Mount Antenna Bases is typically user-friendly, allowing for easy installation with basic tools. They often come with clear instructions or mounting templates to assist in the installation process.

These features collectively make 316 Stainless Steel Ratchet Mount Antenna Bases a reliable and convenient solution for mounting antennas in a variety of applications.

Loading & Shipment

Thanks to superior quality, we have been establishing a close & long business partner relationship with the customers from more than 30 countries, and we've gotten so many positive feedback regarding the quality.

Shandong Power Industry and Trade Co., Ltd.

Address: Chengyang District, Qingdao, Shandong Province, China

Tel: [+86-15865772126](tel:+86-15865772126)

[+86-0532-83875707](tel:+86-0532-83875707)

E-mail: andy@hardwaremarine.com



Contact us

Contact us freely for any inquiries on our products by following:

Email: andy@hardwaremarine.com

Mob: +86-15865772126

24 hours on line contact:

WhatsApp / wechat: +86-15865772126

If you have any questions can contact us

Shandong Power Industry and Trade Co., Ltd.

Address: Chengyang District, Qingdao, Shandong Province, China

Tel: [+86-15865772126](tel:+86-15865772126)

[+86-0532-83875707](tel:+86-0532-83875707)

E-mail: andy@hardwaremarine.com